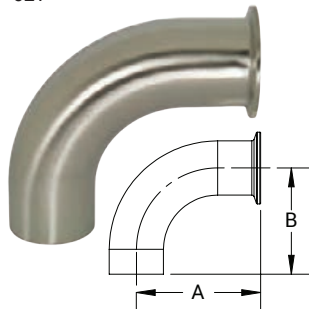


**Weld Elbows**

**90° Clamp x Weld Elbows - B2CM**

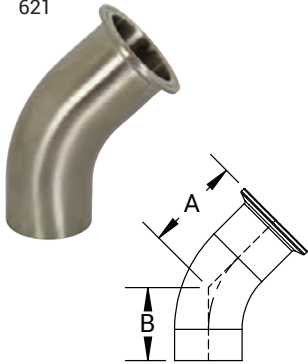
 63-04  
621



Tube O.D.	A (in)	B (in)	Nominal Wall (in)	304 Stainless Steel Part #	316L Stainless Steel Part #
1/2"	3.50	3.00	.065	--	B2CM-R50
3/4"	3.50	3.00	.065	--	B2CM-R75
1"	2.56	2.06	.065	B2CM-G100	B2CM-R100
1-1/2"	3.44	2.94	.065	B2CM-G150	B2CM-R150
2"	4.56	4.06	.065	B2CM-G200	B2CM-R200
2-1/2"	5.69	5.19	.065	B2CM-G250	B2CM-R250
3"	6.81	6.31	.065	B2CM-G300	B2CM-R300
4"	8.94	8.31	.083	B2CM-G400	B2CM-R400
6"	13.34	12.46	.109	--	B2CM-R600
8"	12.88	12.00	.109	--	B2CM-R800

**45° Clamp x Weld Elbows - B2KM**

 63-04  
621

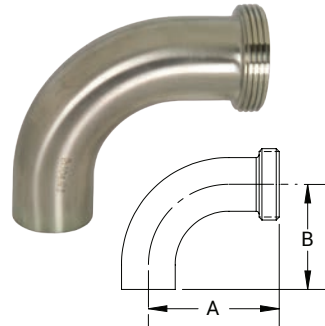


Tube O.D.	A (in)	B (in)	Nominal Wall (in)	304 Stainless Steel Part #	316L Stainless Steel Part #
1"	1.69	1.19	.065	B2KM-G100	B2KM-R100
1-1/2"	2.13	1.63	.065	B2KM-G150	B2KM-R150
2"	2.81	2.31	.065	B2KM-G200	B2KM-R200
2-1/2"	3.50	3.00	.065	B2KM-G250	B2KM-R250
3"	4.19	3.69	.065	B2KM-G300	B2KM-R300
4"	5.44	4.81	.083	B2KM-G400	B2KM-R400

**90° Threaded Bevel Seat x Weld Elbows - B2T**

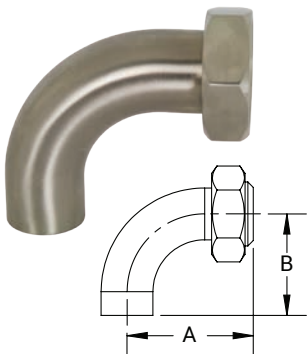
 63-04  
621

**M**



Tube O.D.	A (in)	B (in)	Nominal Wall (in)	304 Stainless Steel Part #
1"	2.78	2.06	.065	B2T-G100
1-1/2"	3.66	2.94	.065	B2T-G150
2"	4.81	4.06	.065	B2T-G200
2-1/2"	6.06	5.19	.065	B2T-G250
3"	7.22	6.31	.065	B2T-G300
4"	9.34	8.31	.083	B2T-G400

 63-04  
621



**90° Plain Bevel Seat with Hex Nut x Weld Elbows - B2FP**

Tube O.D.	A (in)	B (in)	Nominal Wall (in)	304 Stainless Steel Part #
1"	2.78	2.06	.065	B2FP-G100
1-1/2"	3.66	2.94	.065	B2FP-G150
2"	4.81	4.06	.065	B2FP-G200
2-1/2"	6.06	5.19	.065	B2FP-G250
3"	7.22	6.31	.065	B2FP-G300
4"	9.34	8.31	.083	B2FP-G400